

# G-1000-2P2



**SHALLOW BURIAL TANKS** – To maximum 2' overburden  
**DEEP BURIAL TANKS** – To maximum 7' overburden  
**PUMP-OUT TANK** - Pump chamber - 2 sizes available  
**EXTRA DEEP BURIAL TANKS** are available as a special order

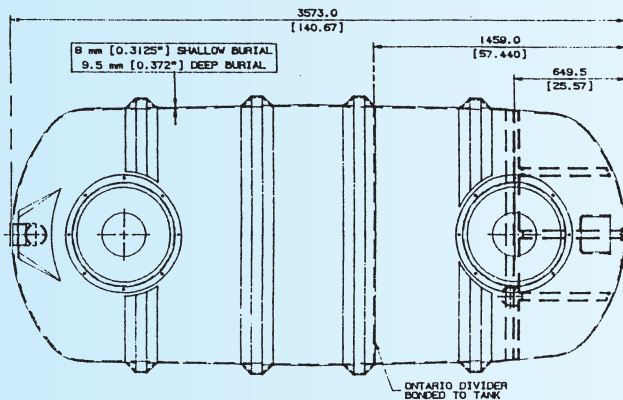


## The Guardian Guarantee

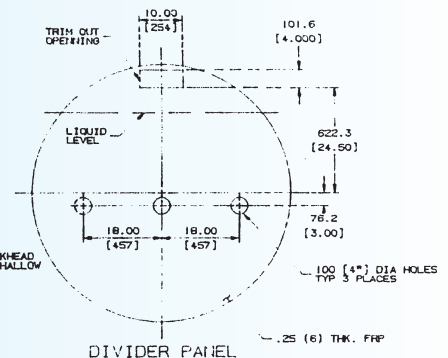
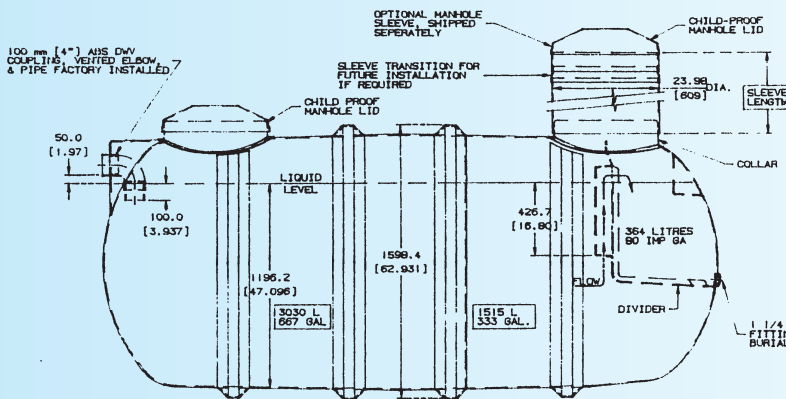
Equinox Industries Guardian tanks are warranted for 10 years against defects in materials and workmanship and will perform according to our specifications provided that installation is proved to be satisfactory to Equinox Industries Ltd.. For a full statement of warranty contact Equinox Industries Ltd.

### 1-Piece Fiberglass Tanks

### G-1000-2P2



MAN-HOLE SLEEVES	
LENGTH	SLEEVE REQUIRED
305 [12]	1 X E-MES-12
457 [18]	1 X E-MES-18
610 [24]	1 X E-MES-24
762 [30]	1 X E-MES-30
1524 [60]	1 X E-MES-60
2134 [84]	1 X E-MES-84



Model	Style	Dimensions In./mm	Reccomendation	Compartments	Burial Depth In./mm
<b>G-1000-2P2</b>	Pump-Out	64 x 122 (1626 x 3099)	3 Bedrooms	3 Compartments	24 (610) or 86 (2184)

Additional Manway sleeves are available as required.