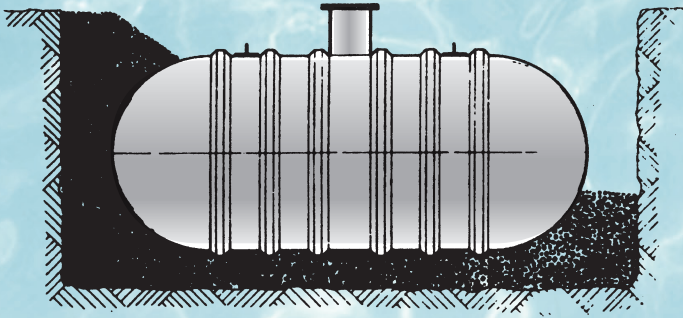


6ft Deep Burial PUMP-OUT Tanks



6 FOOT DIAMETER BURIAL TANKS

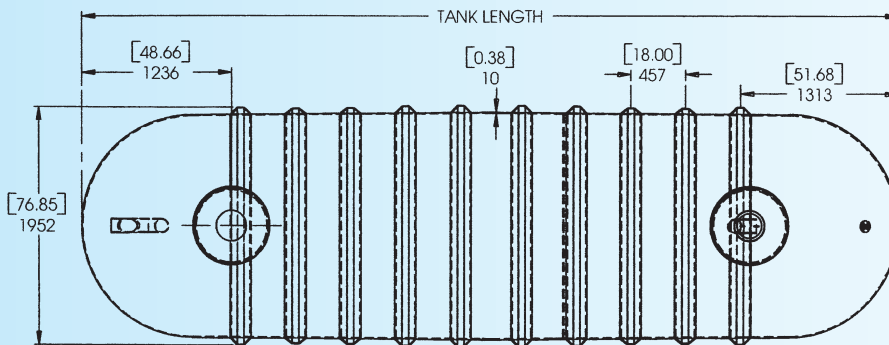
All Equinox 6 foot (1829 mm) diameter tanks are one piece construction. Each tank comes complete with a 24" (610 mm) diameter bonded access sleeve, a 4" (102 mm) ABS inlet fitting, an 8" (203 mm) pump-out access cover, and steel lift lugs. Compartment dividers are available at an additional cost.

COMMERCIAL TANKS

6-Foot Diameter Deep Burial PUMP-OUT Tanks



TANK SPECIFICATIONS				
MODEL	TANK LENGTH	NUMBER OF RIBS	NOMINAL CAPACITY OF TANK	CAPACITY OF WORKING CHAMBER
G-2000-P7-6	4040 [159]	4	9090 [2000]	6183 [1360]
G-2500-P7-6	4953 [195]	6	11365 [2500]	8229 [1810]
G-3000-P7-6	5867 [231]	8	13640 [3000]	10275 [2260]
G-3500-P7-6	6782 [267]	10	15910 [3500]	12320 [2710]



TANK DIMENSIONS		
TANK MODEL	APPROXIMATE TANK SHIPPING SIZE	WEIGHT
G-2000-P7-6	1980 X 4040 [78 X 159]	446 [986]
G-2500-P7-6	1980 X 4953 [78 X 195]	529 [1170]
G-3000-P7-6	1980 X 5867 [78 X 231]	610 [1352]
G-3500-P7-6	1980 X 6782 [78 X 267]	695 [1535]

MANHOLE SLEEVES	
LENGTH	SLEEVE REQUIRED
768 [30]	1 X E-MES-30
1524 [60]	1 X E-MES-60
2138 [84]	1 X E-MES-84

NOTES:
MAX 2138MM (7FT) BURIAL
MODEL G-3500 SHOWN

