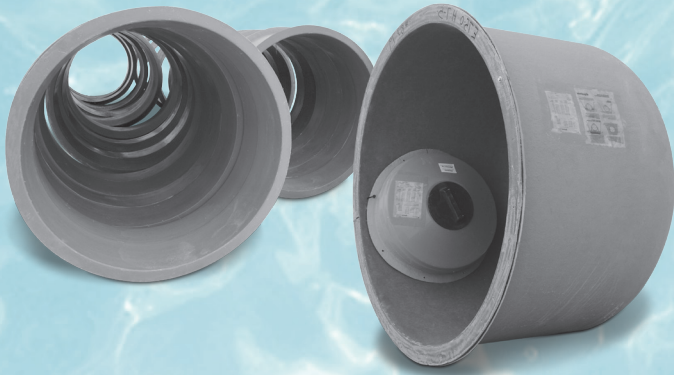


E-1000RET2S2-5



Equinox manufactures a line of tanks for use with 2 or 3 compartments. These tanks are rated by retention capacity and meet standards outlined some regulating bodies. Some regional regulations require certain minimum retention capacities, which vary with the number of bedrooms per home. Confirm with your local regulatory authority.

All 2 and 3 compartment septic tanks have the working chamber divided in two by an extra divider. The following tanks are all CSA Certified and come complete with a 4" (101) ABS solvent weld coupling, street elbow, and 8" (202) of 4" (101) ABS pipe. Holding tanks come with a 4" (101) ABS solvent weld coupling, complete with suction pump-out fittings.

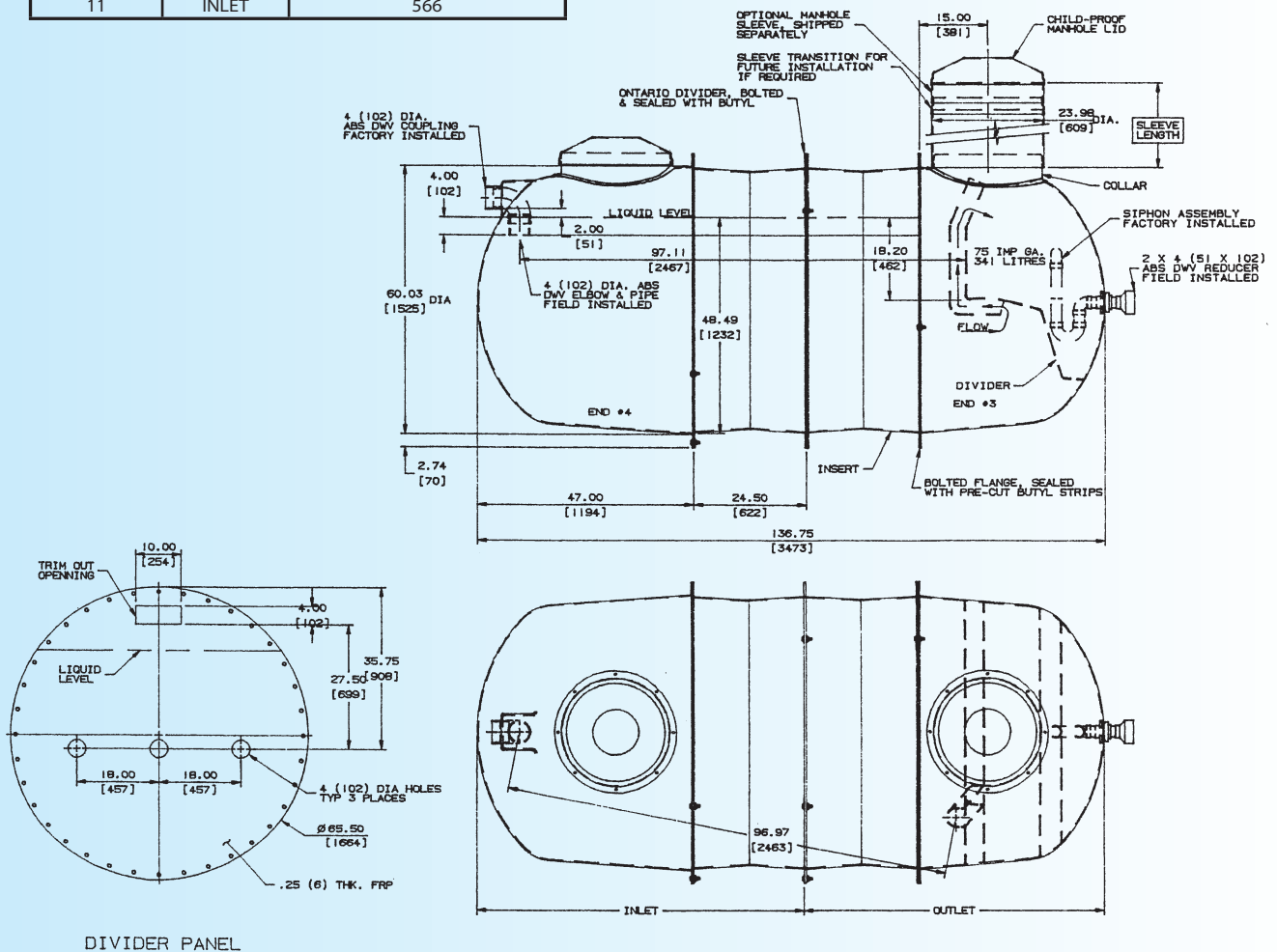
2 and 3 Compartment Sectional Fiberglass SIPHON Tanks

E-1000RET2S2-5

TANK SPECIFICATIONS	
APPROXIMATE SHIPPING SIZE	NOMINAL CAPACITY
60 x 60 (1525 x 1525)	1191 (5407)

CAPACITIES WORKING CHAMBER		
NO.	TYPE	CAPACITY (GALLONS)
9	OUTLET	391 (+ 75 Gallon Pump/Siphon Chamber)
11	INLET	566

MANHOLE SLEEVES	
LENGTH	SLEEVE REQUIRED
12 (305)	1 x E-MES-12
18 (457)	1 x E-MES-18
24 (610)	1 x E-MES-24
30 (762)	1 x E-MES-30
60 (1524)	1 x E-MES-60
84 (2134)	1 x E-MES-84



DIVIDER PANEL