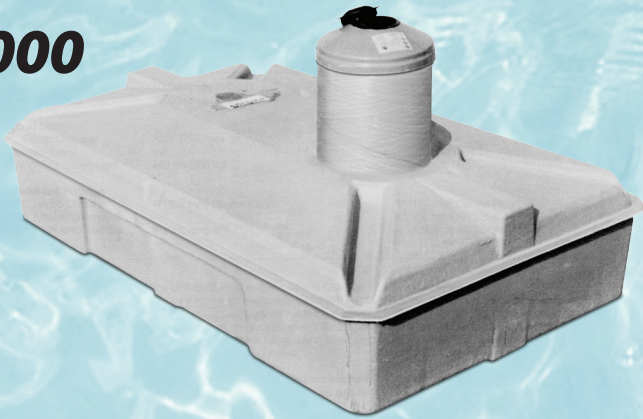


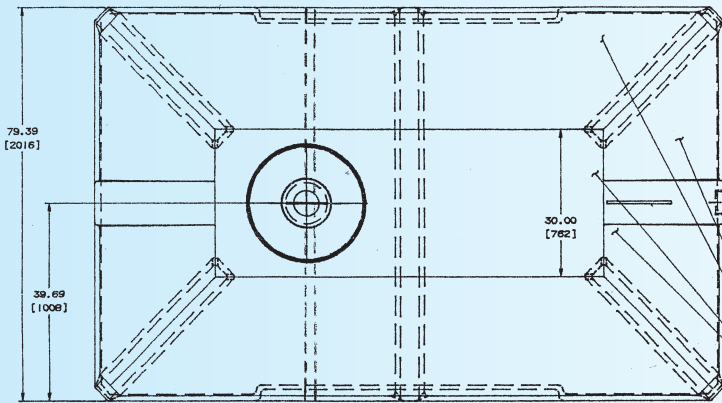
LPT-1000



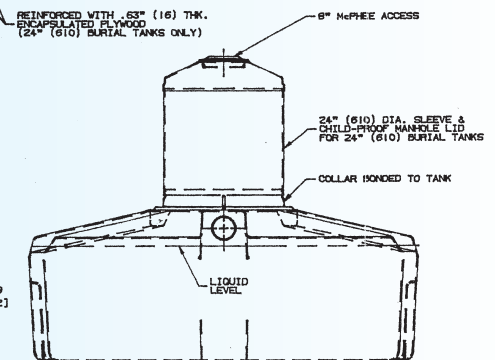
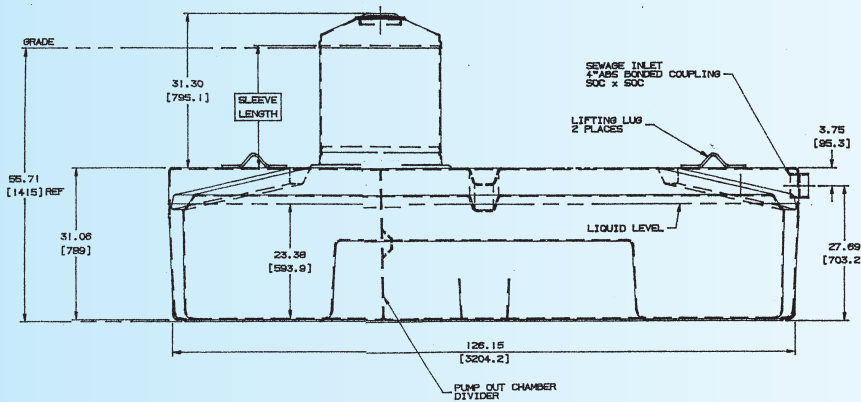
The LPT-1000 is a rugged fiberglass tank ideally suited for all areas where deep burial is not practical. This tank has the structural advantages of fiberglass construction, plus excellent resistance to weathering and corrosion. With a working capacity of 1000 Imp. Gals. (4545L) and a height of only 33" (840), the tank is designed to slide under cottages and homes. The LPT-1000B is recommended for burial up to 2' (610). An optional, factory installed 4" (101) pump-out suction line is available. Large flat areas accommodate bulkhead fittings up to 3" (76) dia. or couplings up to 4" (101).

1-Piece Fiberglass Tanks

LPT-1000



MANHOLE SLEEVES	
LENGTH	SLEEVE REQUIRED
12 (304)	1 X E-MES-12
18 (457)	1 X E-MES-18
24 (610)	1 X E-MES-24



Model	Style	Options	Height In. / mm
LPT-1000-A	Above Ground	-	33 (840)
LPT-1000-B	Burial to 2' (610)	-	33 (840)

Additional Manway sleeves are available as required.