

WATER STORAGE Tanks



- Guardian water storage tanks come standard with:
- 24" diameter access openings (with 8" Plastic vented lid)
 - 1 1/4" bulkhead fitting
 - 24" (610 mm) of Bonded 24" (610 mm) diameter manway.

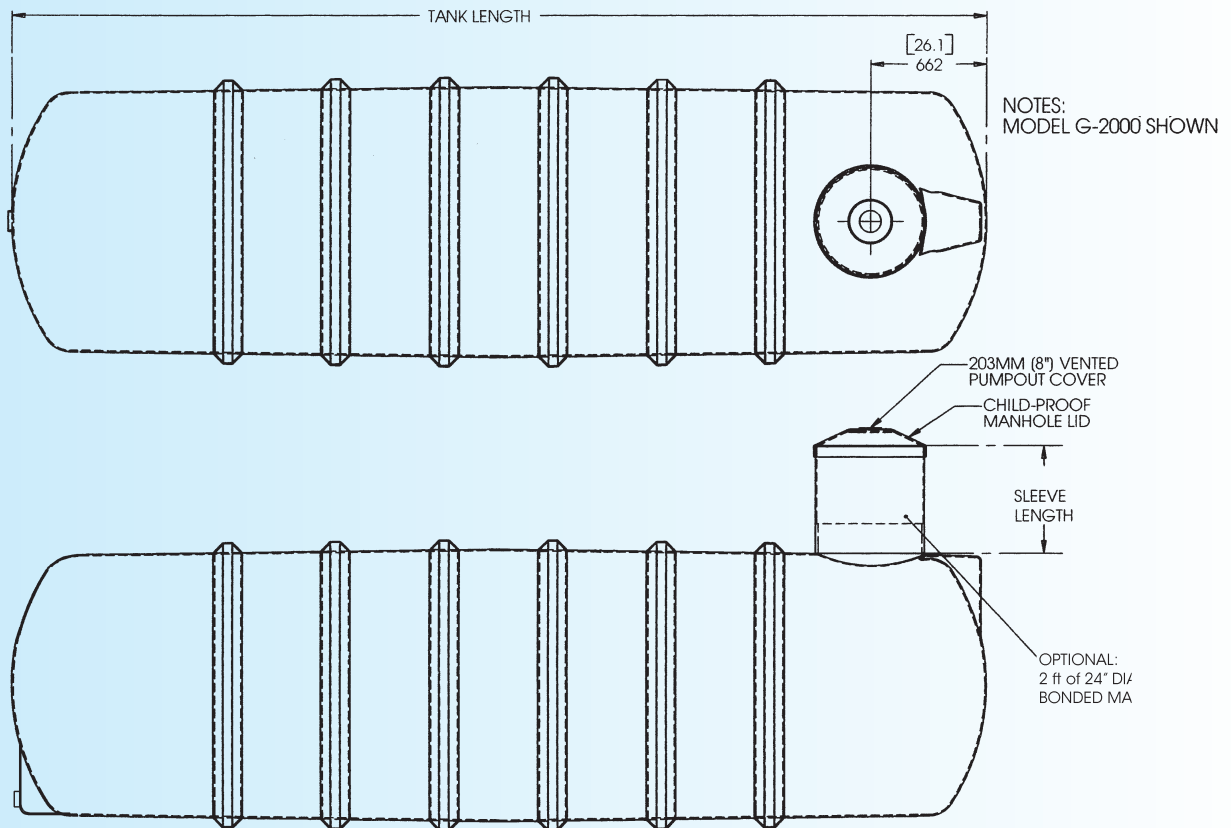
The Guardian Guarantee

Equinox Industries Guardian tanks are warrantied for 10 years against defects in materials and workmanship and will perform according to our specifications provided that installation is proved to be satisfactory to Equinox Industries Ltd.. For a full statement of warranty contact Equinox Industries Ltd.



1-Piece Fiberglass Tanks

WATER STORAGE



Model	Style	Dimensions In./mm	Retention ImpGal/Ltr	Burial Depth In./mm
G-1000-W	Water Storage	64 x 117 (1626 x 2972)	1000 (4545)	24 (610) or 86 (2184)
G-1250-W	Water Storage	64 x 143 (1626 x 3632)	1250 (5683)	24 (610) or 86 (2184)
G-1500-W	Water Storage	64 x 169 (1626 x 4293)	1500 (6819)	24 (610) or 86 (2184)
G-1750-W	Water Storage	64 x 195 (1626 x 4953)	1750 (7956)	24 (610) or 86 (2184)
G-2000-W	Water Storage	64 x 219 (1626 x 5563)	2000 (9092)	24 (610) or 86 (2184)

Additional Manway sleeve available as required.