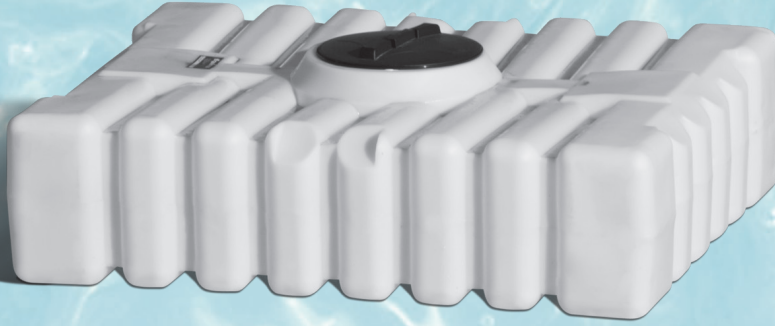


# E 305 LP

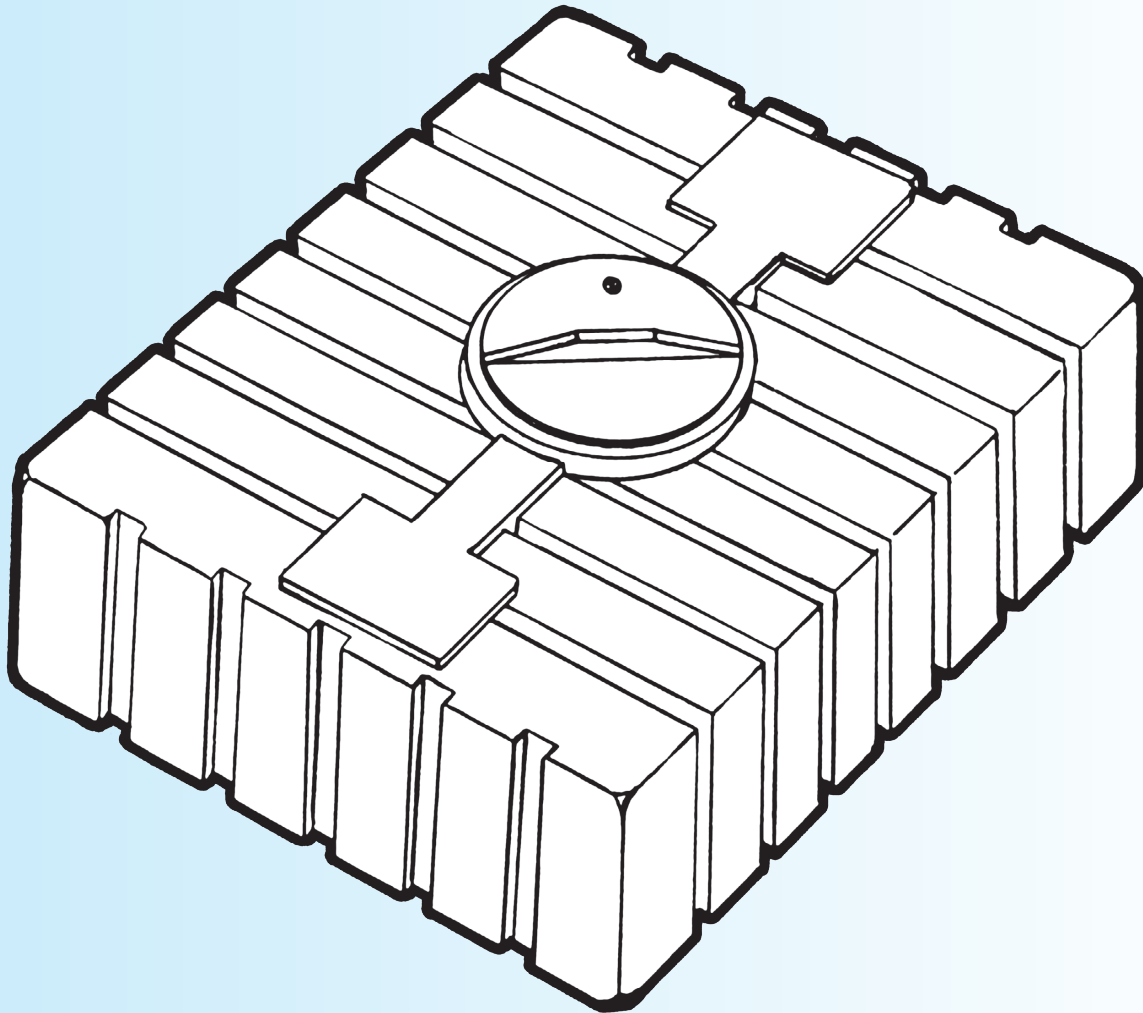


- Fitting Options (specify at time of order placement):
- Bulkhead fittings in sizes from 1/2" NPT to 3" NPT
  - Flanged Fittings, ABS or PVC, in sizes from 1-1/4" to 4"
  - Rubber grommets in 3" & 4" sizes

Flat Bottom tanks are easy to clean and maintain as they have no ribs to entrap water, silt or debris. The low height of the tank allows for greater headroom between the tank top and the floor joists giving you more clearance to make the plumbing hookups or to access the tank interior for maintenance.

## Polyethylene Low Profile Flat Bottom Tanks

E305 LP



Model	Capacity ImpGal/Ltr	Length In./mm	Width In./mm	Height In./mm
<b>E 305 LP</b>	305 (1385)	73 (1854)	59 (1499)	25 (635)