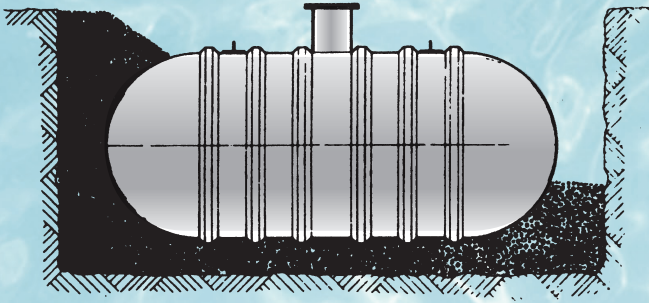


8ft Diameter PUMP-OUT Tanks

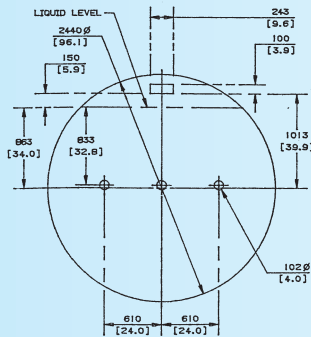


Equinox 8' diameter (2440 mm) tanks provide large volume capacities. All are buriable to 7' depth (2135 mm) from the top of the tank, and are provided with lifting lugs. Holding, Trickle, and Pump-Out tanks are provided with 4" (102 mm) ABS pipe inlets. For water storage tanks, specify sizes of vents, fill and outlet openings. All tanks come complete with a 24" (610 mm) diameter lid and 12" (305mm) bonded sleeve. A 24" (610) diameter sleeve is available to a maximum length of 7' (2135 mm), at an additional cost. Tanks that require separate chambers are available, (internal dividers carry an additional cost). Tanks are also available for special applications. Please contact factory for details.

COMMERCIAL TANKS

8-Foot Diameter Burial PUMP-OUT Tanks

TANK SPECIFICATIONS							
MODEL	TANK LENGTH	APPROXIMATE SHIPPING SIZE	NOMINAL CAPACITY	CAPACITY OF EFFLUENT CHAMBER	CAPACITY OF AIR IN SEPTIC CHAMBER	CAPACITY OF PRIMARY SEPTIC CHAMBER MINUS 10% AIR SPACE	CAPACITY OF SECONDARY SEPTIC CHAMBER MINUS 10% AIR SPACE
G-3000-P8	148 (3760)	102 x 148 (2576 x 3760)	3000 (13640)	1048 (4764)	195 (886)	1098 (4990)	659 (2995)
G-4000-P8	186 (4740)	102 x 186 (2576 x 4740)	4000 (18160)	1048 (4764)	295 (1341)	1698 (7717)	959 (4359)
G-5000-P8	226 (5740)	102 x 226 (2576 x 5740)	5000 (22700)	1048 (4764)	395 (1795)	2298 (10444)	1259 (5722)
G-6000-P8	264 (6706)	102 x 264 (2576 x 6706)	6000 (27240)	1048 (4764)	495 (2250)	2898 (13171)	1559 (7086)
G-7000-P8	297 (7543)	102 x 297 (2576 x 7543)	7000 (31780)	1048 (4764)	595 (2704)	3498 (15898)	1859 (8449)
G-8000-P8	341 (8660)	102 x 341 (2576 x 8660)	8000 (36320)	1048 (4764)	695 (3159)	4098 (18625)	2159 (9813)
G-10000-P8	420 (10668)	102 x 420 (2576 x 10668)	10000 (45400)	1048 (4764)	895 (4068)	5298 (24079)	2759 (12540)



MANHOLE SLEEVES	
LENGTH	SLEEVE REQUIRED
12 (305)	1 x E-MES-12
18 (457)	1 x E-MES-18
24 (610)	1 x E-MES-24
30 (762)	1 x E-MES-30
60 (1524)	1 x E-MES-60
84 (2134)	1 x E-MES-84

